

Thru-Hull SealLite®

18 LED

- 18 high brightness LEDs for amazing light output
- 50,000 hour LED life- No bulb changing
- Fully sealed design with integrated driver
- Completely serviceable from inside the boat
- White, Green or Blue color options
- Can operate in or out of the water



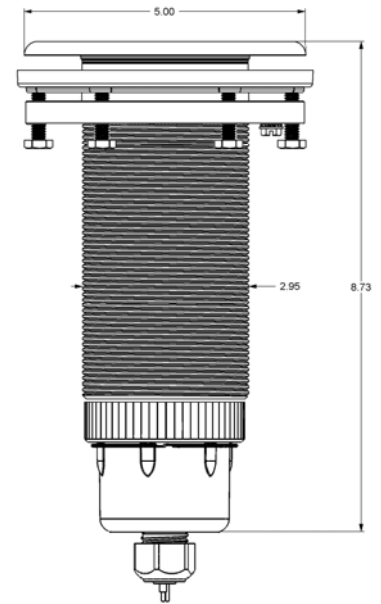
DEEPSEA
Power & Light®

Patent Pending

18 LED Thru-Hull SeaLite®

Several features come together in the **18 LED Thru-Hull SeaLite®** to create a light that offers amazing light output, is extremely rugged and most importantly, safe. There are 18 high brightness LEDs, each with its own reflector to distribute the light for maximum effect. Thermal compensation circuitry regulates the temperature of the LEDs, improving the life of the LEDs and allowing the light to be run in air. The 316 stainless steel housing has two double seals, ensuring that the **18 LED Thru-Hull SeaLite®** will remain watertight, even in the harshest environments. To simplify installation, the driver board is integrated into the watertight housing. The **18 LED Thru-Hull SeaLite®** is even serviceable from inside the boat. And, with an ultra long life, the **18 LED Thru-Hull SeaLite®** requires no bulb maintenance!

The **18 LED Thru-Hull SeaLite®** provides the peace of mind in knowing that it was designed by a company with over 25 years expertise as a leading manufacturer of underwater lights for deep diving submersibles, offshore oil and commercial divers.



Light Specifications

MECHANICAL

Housing Material:	316L Stainless Steel
Pressure Tested To:	100 PSI
Size:	
Length:	8.73 in. (22.17 cm)
Diameter:	
Thru-Hull Fitting:	2.95 in. (7.49 cm)
Outer Flange (1/4 in. thick):	5.0 in. (12.70 cm)
Weight:	7.00 lb. (3.18 kg)
Lens:	High performance polymer
Cable Length:	15' (4.57 m) standard (longer available on request)
Recommended Hull Thickness:	
Minimum:	1/4 in. (6.35 mm)
Maximum:	5.0 in. (12.70 cm)

LAMP

Type:	LED (White, Blue, or Green)
Rated Average Life:	50,000 hours
Color Temperature:	5,700-6,700° K
Beam Angle:	17° center spot within 90° flood

OPERATING

Warm Up / Re-strike Time	Instantaneous
Minimum Operating Temperature:	-22° F (-30° C)

ELECTRICAL

Input Voltage:	10-32 VDC
Input Current:	4.3A at 12VDC
Input Power:	52 Watts



Specifications subject to change without notice

DEEPSEA POWER & LIGHT • 4033 Ruffin Rd. • San Diego, CA 92123 USA • TEL (858) 576-1261 • FAX (858) 576-0219

Web: www.deepsee.com • E-mail: THSL_sales@deepsea.com

Rev. 04/21/10