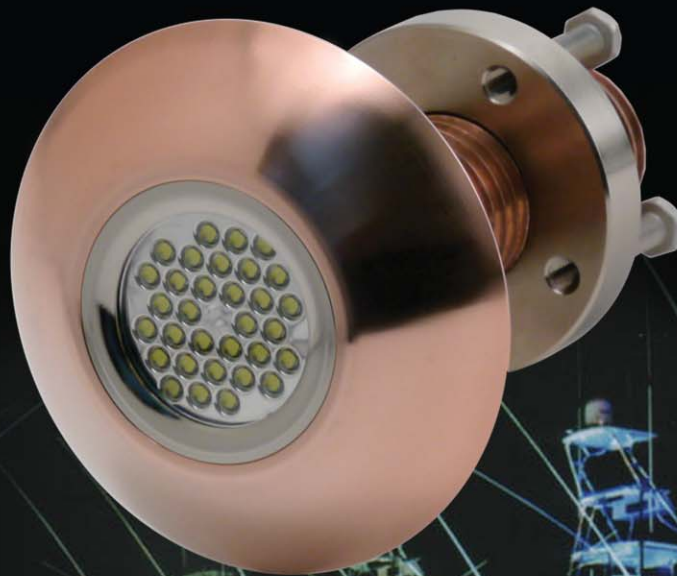


Thru-Hull SealLite®



# Matrix®

- Highest TRUE lumen output in its class
- Copper fitting for superb heat transfer
- Durable sapphire crystal port
- Can operate while underway
- Four LED colors to choose from:
  - Sapphire Blue
  - Emerald Green
  - Ruby Red
  - Diamond White



**DEEPSEA**  
Power & Light®

Patents Pending

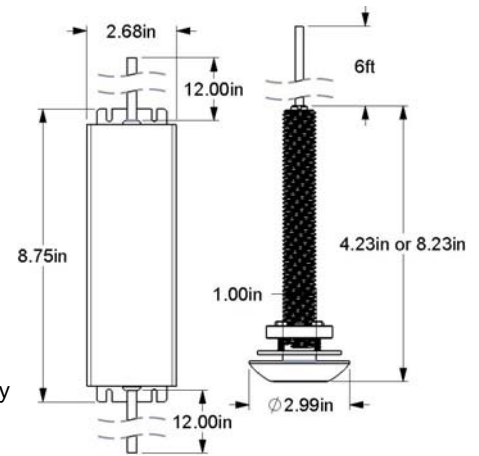
# Matrix<sup>®</sup> Thru-Hull SeaLite<sup>®</sup>

After extensive R&D, DeepSea is proud to introduce the **Matrix<sup>®</sup> Thru-Hull SeaLite<sup>®</sup>**, the next leap forward in underwater lighting for boats.

The **Matrix<sup>®</sup> Thru-Hull SeaLite<sup>®</sup>** is an elegant combination for cutting edge technology and proven engineering. The light employs a highly thermally conductive copper alloy fitting which allows the densely configured LED's to be utilized to their fullest potential. For heat transfer, copper is one of the absolute best materials, resulting in an LED light with outstanding light output and a very long life.

Designed with a scratch resistant sapphire crystal port and thermal cut off circuit that automatically protects the LEDs from over temperature, no details were overlooked. The standard fitting length accommodates a 3" thick hull, and an optional longer length fitting is available for thicker hulls.

The **Matrix<sup>®</sup> Thru-Hull SeaLite<sup>®</sup>** provides the peace of mind in knowing that it was designed by a company with over 25 years experience manufacturing underwater lights for deep diving submersibles, offshore oil and commercial divers.



## Light Specifications

MECHANICAL	STANDARD FITTING	OPTIONAL LONGER FITTING
Housing Material:	Copper Alloy	Copper Alloy
Pressure Tested To:	100 PSI	100 PSI
Size:		
Length:	4.23 in. (10.74cm)	8.23 in. (20.90cm)
Diameter:		
Thru-Hull Fitting:	1.00 in. (2.54 cm)	1.00 in. (2.54 cm)
Outer Flange (0.56 in. thick):	2.99 in. (7.59 cm)	2.99 in. (7.59 cm)
Weight:	1.39 lbs (630 g)	1.71 lbs (775 g)
Lens:	Sapphire	Sapphire
Cable Length:	6' (1.83 m)	6' (1.83 m)
Recommended Hull Thickness:		
Minimum:	0.25 in. (6.35 mm)	0.25 in. (6.35 mm)
Maximum:	3.00 in. (76.20 mm)	7.00 in. (177.80 mm)

## LAMP

Type:	LED (Sapphire Blue, Emerald Green, Ruby Red or Diamond White)
Rated Average Life:	>30,000 hours
Color Temperature:	6,000° K Typical
Beam Angle:	60 ° (Flood)

## OPERATING

Warm Up / Re-strike Time:	Instantaneous
Minimum Operating Temperature:	14° F (-10° C)

## Driver Specifications

### MECHANICAL

Housing Material:	Painted Aluminum
Size:	
Length:	8.75 in. (22.23 cm)
Width:	2.68 in. (6.81 cm)
Depth:	1.54 in. (3.91 cm)
Weight:	2.18 lbs (988 g)
Cable Length:	12" (0.30 m) power input and 12" (0.30 m) driver output

### ELECTRICAL

Input Voltage:	90VAC-295VAC 50/60Hz or 127VDC-417VDC
Input Current:	0.69A at 120V Typical 0.35A at 240V Typical
Input Power:	83 Watts Typical



Specifications subject to change without notice Patents Pending

DEEPSEA POWER & LIGHT • 4033 Ruffin Rd. • San Diego, CA 92123 USA • TEL (858) 576-1261 • FAX (858) 576-0219

Web: [www.deepsee.com](http://www.deepsee.com) • E-mail: [THSL\\_sales@deepsea.com](mailto:THSL_sales@deepsea.com)

Rev. 11/21/11