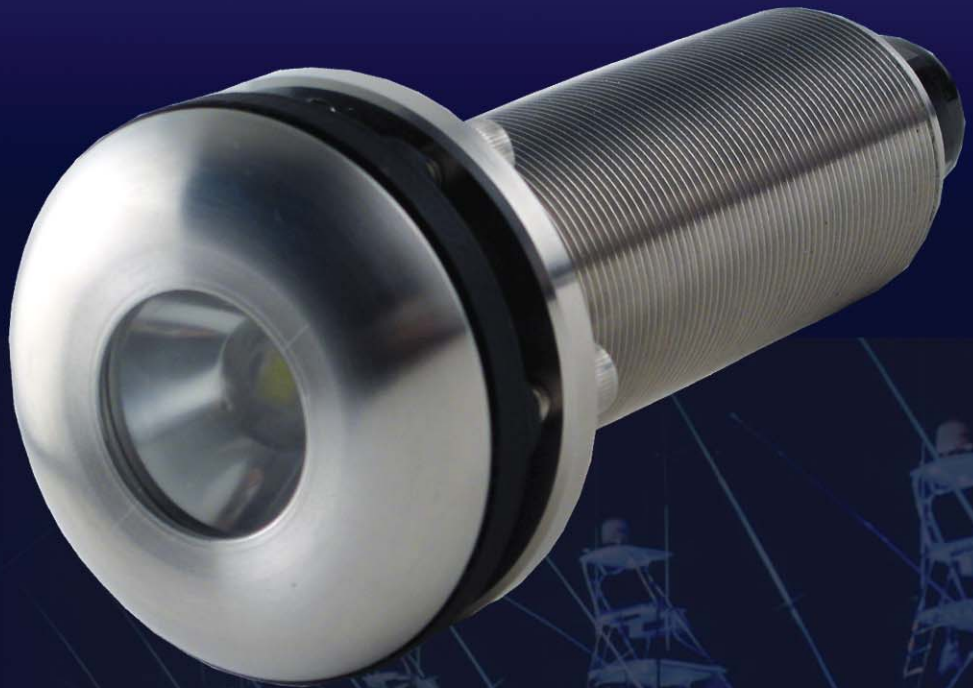


Thru-Hull SealLite®

MiniLED S/D

- Incredible light output for its miniature size
- All electronics integrated into the watertight housing
- Special fish attracting strobe feature
- Exclusive dimming capability
- Can operate in or out of the water
- 50,000 hour LED life- No bulb changing



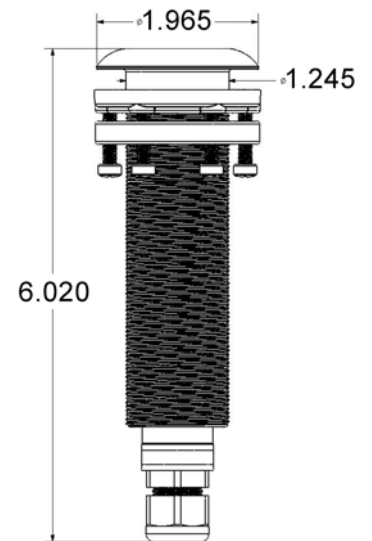
DEEPSEA
Power & Light®

Patent Pending

MiniLED S/D Thru-Hull SeaLite®

Utilizing the latest in high brightness LED technology, the **MiniLED S/D Thru-Hull SeaLite®** provides incredible light output for its compact size. The **MiniLED S/D Thru-Hull SeaLite®** is ideal for center console boats, where space is at a premium, and price is an important consideration. All electronics are integrated in the watertight housing that is serviceable from inside the boat. The **MiniLED S/D Thru-Hull SeaLite®** has special circuitry that allows it to double as a fish attracting strobe light with the flick of a switch and also includes an exclusive dimming feature so you can set the perfect mood. With an ultra long life, the **MiniLED S/D Thru-Hull SeaLite®** requires no bulb maintenance!

The **MiniLED S/D Thru-Hull SeaLite®** provides the peace of mind in knowing that it was designed by a company with over 25 years expertise as a leading manufacturer of underwater lights for deep diving submersibles, offshore oil and commercial divers.



Light Specifications

MECHANICAL

Housing Material:	316L Stainless Steel
Pressure Tested To:	100 PSI
Size:	
Length:	6.02 in. (15.29 cm)
Diameter:	
Thru-Hull Fitting:	1.245 in. (3.16 cm)
Outer Flange (1/4 in. thick):	1.965 in. (4.99 cm)
Weight:	15.00 oz. (0.43 kg)
Lens:	High performance polymer
Cable Length:	15' (4.57 m) standard (longer available on request)
Recommended Hull Thickness:	
Minimum:	0.25 in. (6.35 mm)
Maximum:	3.50 in. (8.26 cm)

LAMP

Type:	LED (White, Blue, or Green)
Rated Average Life:	50,000 hours
Color Temperature:	6,000° K
Beam Angle:	30° center spot within 90° flood

OPERATING

Warm Up / Re-strike Time	Instantaneous
Minimum Operating Temperature:	-22° F (-30° C)

ELECTRICAL

Input Voltage:	10-32 VDC
Input Current:	1 A at 12 VDC
Input Power:	15 Watts
Strobe Input:	Active ≥2.0 VDC In-active ≤0.3 VDC
Dimming Input:	50K ohm 10 turn potentiometer or 0 to 5 VDC (max 32 VDC)



Specifications subject to change without notice

DEEPSEA POWER & LIGHT • 4033 Ruffin Rd. • San Diego, CA 92123 USA • TEL (858) 576-1261 • FAX (858) 576-0219

Web: www.deepsee.com • E-mail: THSL_sales@deepsee.com

Rev. 04/21/10